



7788-22

D = 1-5/8"
P = 1-3/8"



7788-BB

Also Available
8845 D = 1-1/4"
P = 1-1/4"
Flared Shank



8356-BC

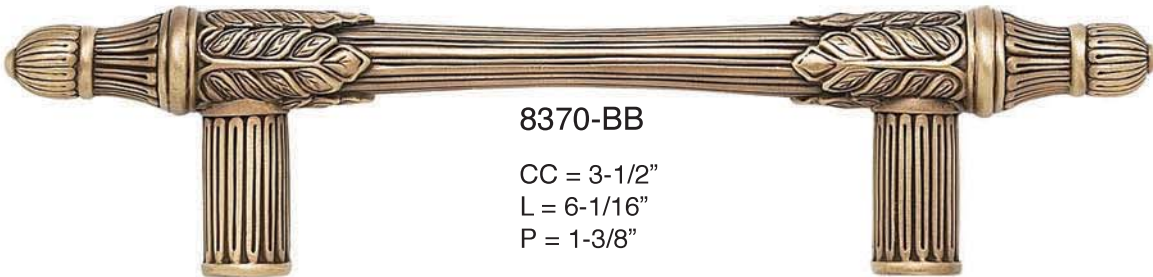
D = 3/4"
P = 1-1/16"



8356-AN



8370-BB



8370-BB

CC = 3-1/2"
L = 6-1/16"
P = 1-3/8"

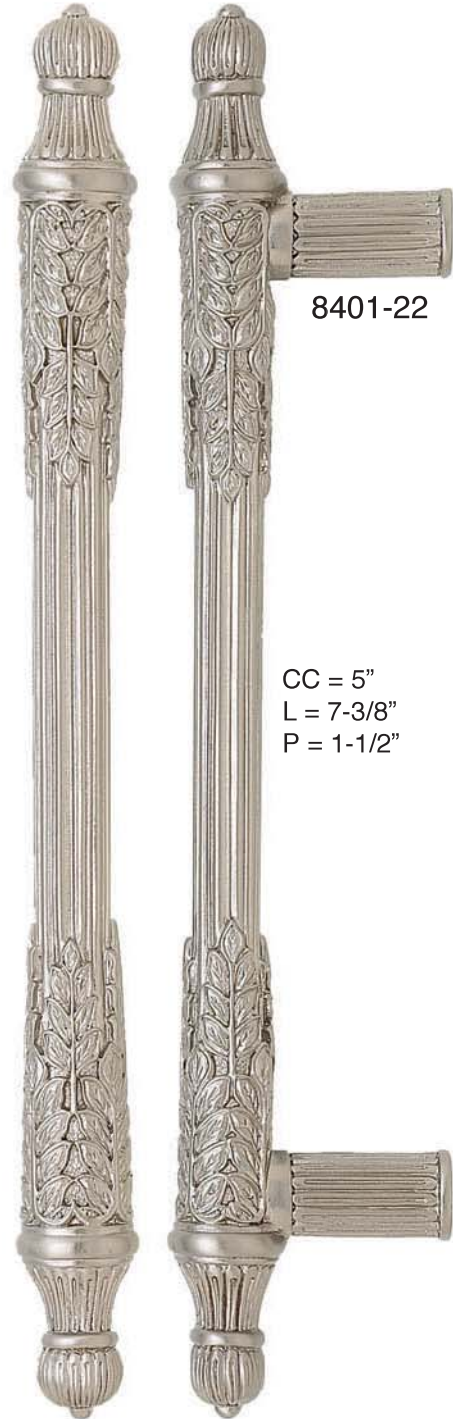
8350-AB



8350-AB

CC = 8"
L = 11-5/16"
P = 1-7/8"

8401-22



8401-22

CC = 5"
L = 7-3/8"
P = 1-1/2"

8236-1



8693-6



8236-6



8693-1



CC = 16"
L = 20-7/8"
P = 2-1/2"

CC = 10"
L = 14"
P = 2-7/16"

Also Available
8862 CC = 16"
L = 21-1/4"
Back to Back

Also Available
8931 CC = 10"
Back to Back

PRODUCTS AT OR
NEAR ACTUAL SIZE