

10008-AN



10008-1



D = 1-3/8" P = 1-3/8"

10009-1



10009-16



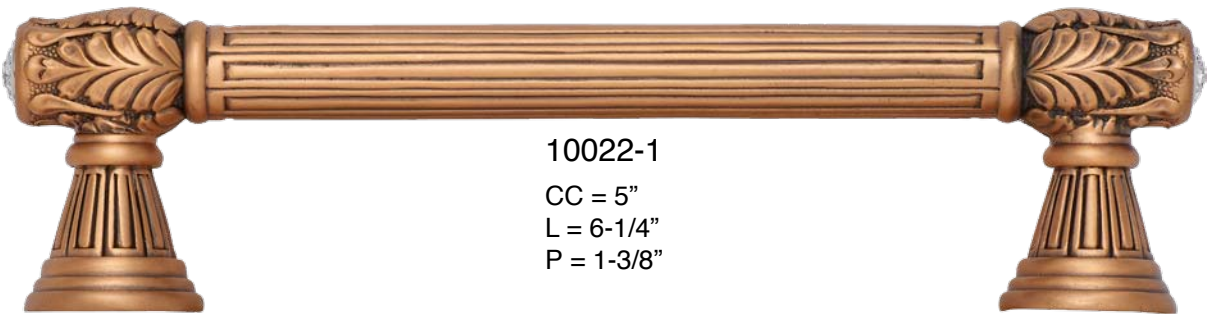
D = 1-9/16" P = 1-3/8"

10022-16



10022-1

CC = 5"
L = 6-1/4"
P = 1-3/8"



9741-16



9741-16



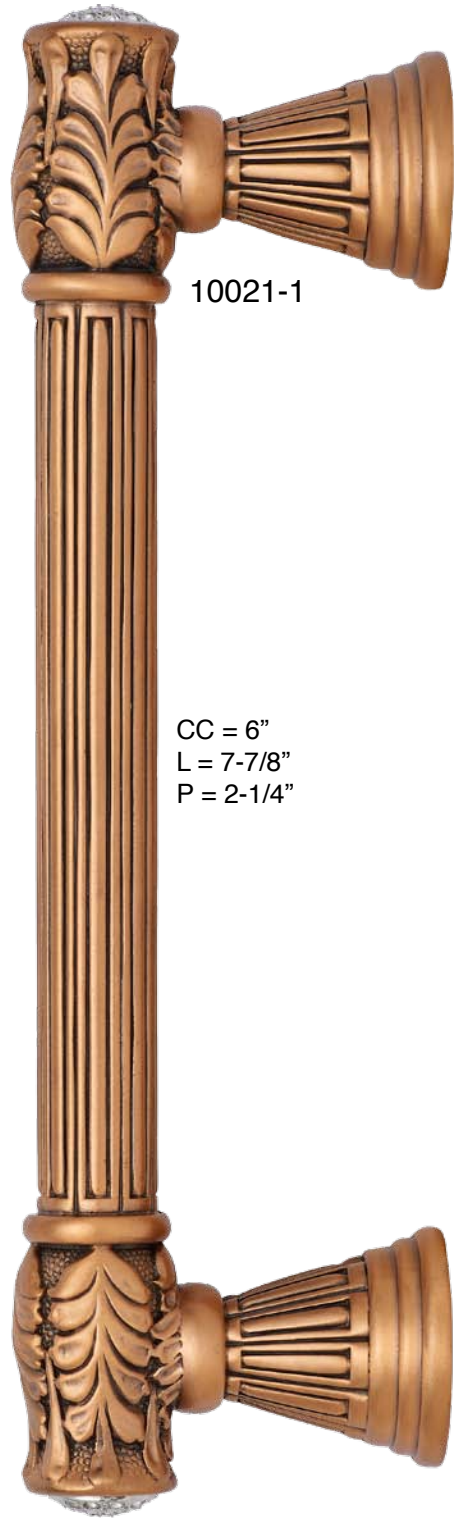
9741-1



10021-16



10021-1



CC = 6"
L = 7-7/8"
P = 2-1/4"

Available
CC = 8", 10", 12", 14"
L = 12", 14", 16", 18"
P = 2-5/8"

Available Back To Back
9999 CC = 8", 10", 12", 14"

CRYSTALIZED WITH SWAROVSKI®
PRODUCTS AT OR NEAR ACTUAL SIZE